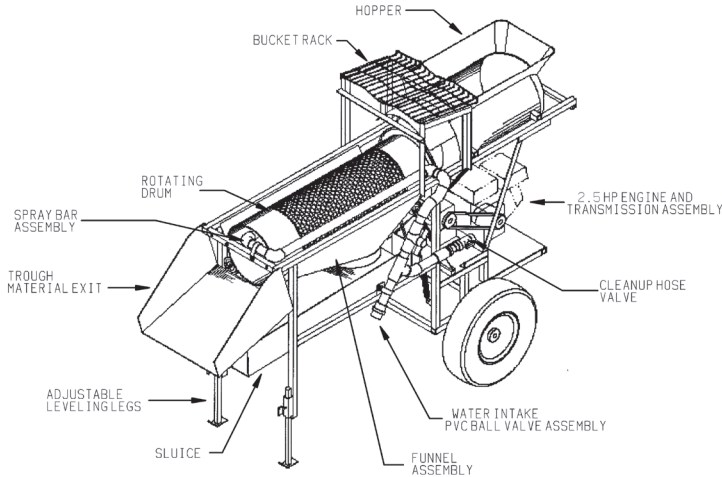
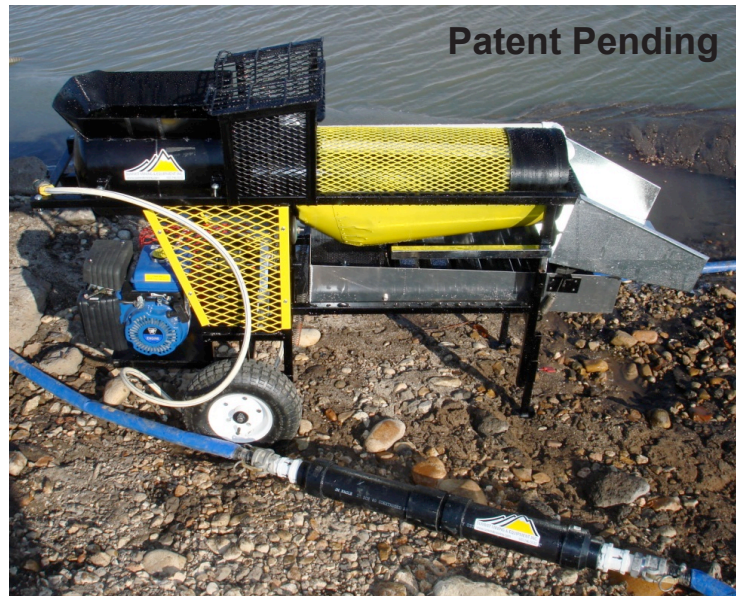


# PRO GOLD TROMMEL

## SPECIFICATIONS:

190 lbs./ L. 64"- Ht. 40"- W. 31" at the wheels.  
 2.5 hp gas HOR OHV, (electric available on request)  
 Transmission: 1 speed belt to chain drive  
 Rotating drum: 10"dia., L. 32"  
 Sluice box: L. 34"- Ht. 4 1/2"- W. 12"  
 6-8' small garden hose with nozzle may also be attached to aid with the cleanup process.



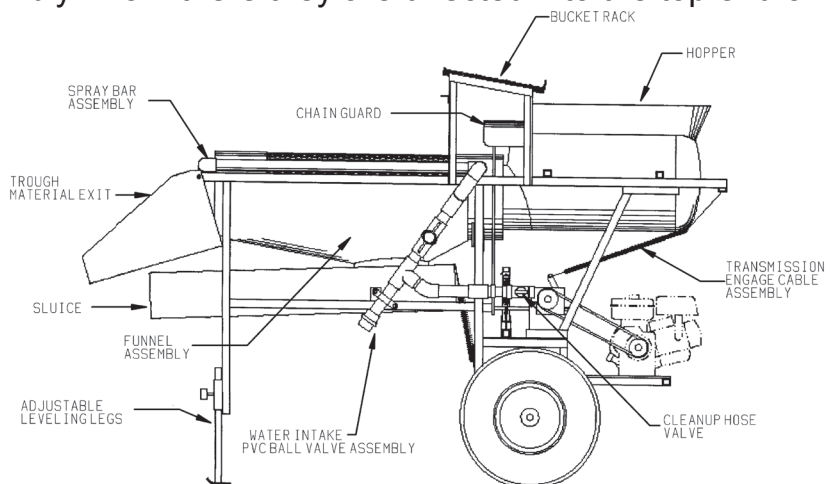
## HOW IT WORKS:

Material is placed into the hopper, where the first spray zone washes the material before entering the rotating drum. The second spray zone, inside the rotating drum, washes the material as it tumbles. The third spray zone, outside the rotating drum, keeps the drum clean and helps wash the material.

This unique design ensures the material is washed from multiple angles as the drum rotates, allowing a five gallon bucket of material to be processed in 2-3 minutes.

As the material is washed and tumbled, the smaller pieces and dirt fall through the drum's heavy steel screen into the funnel assembly. From there they are directed into the top end of the sluice and get washed through the riffles.

The larger material still in the rotating drum, is tumbled and washed for the entire length of the drum and dropped out the end onto the trough.



**SUMMIT MINING  
& EQUIPMENT  
INC.**



**SUMMIT MINING & EQUIPMENT INC.**

sales@summitmining.com . www.summitmining.com

503-746-5532 . 6670 SW 169th Ave. Beaverton, OR 97007

OUR MISSION: To make the gold prospecting experience more productive for small scale miners.